

The logo for United Medical Maintenance Services (UMMS) is located in the top left corner of a blue vertical bar. It features the letters "UMMS" in a white, sans-serif font, with a white swoosh underline that starts under the "U" and ends under the "S". A small white starburst is positioned above the "U".

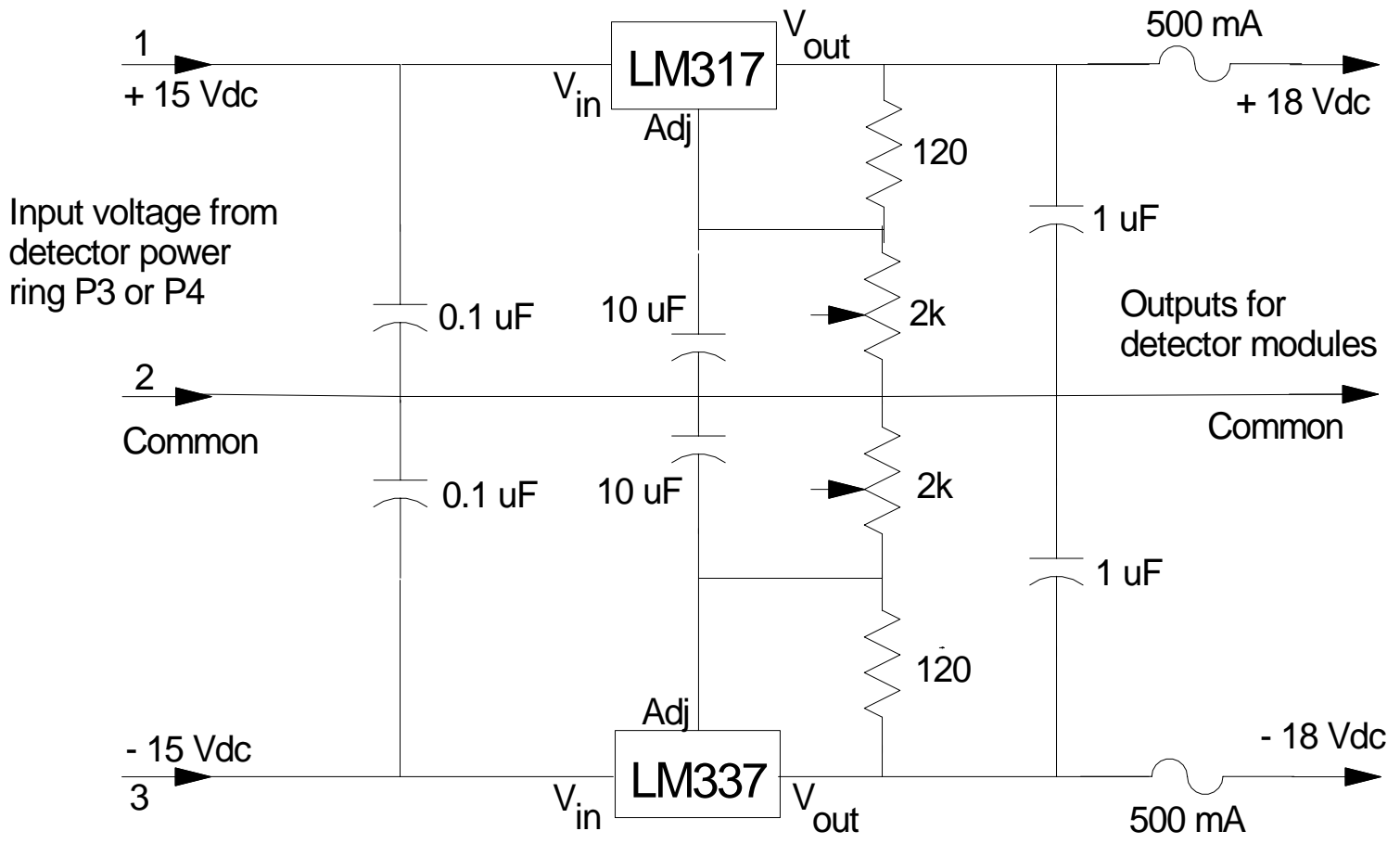
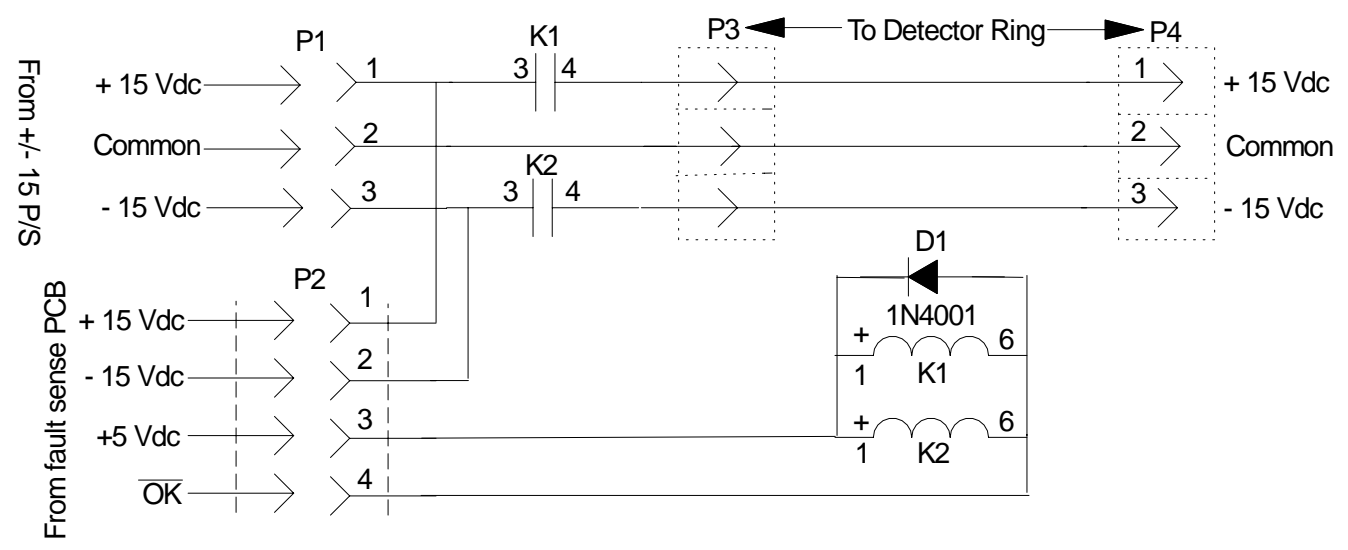
United Medical Maintenance Services

Engineering Publications

PQ Series Remote Relay Board

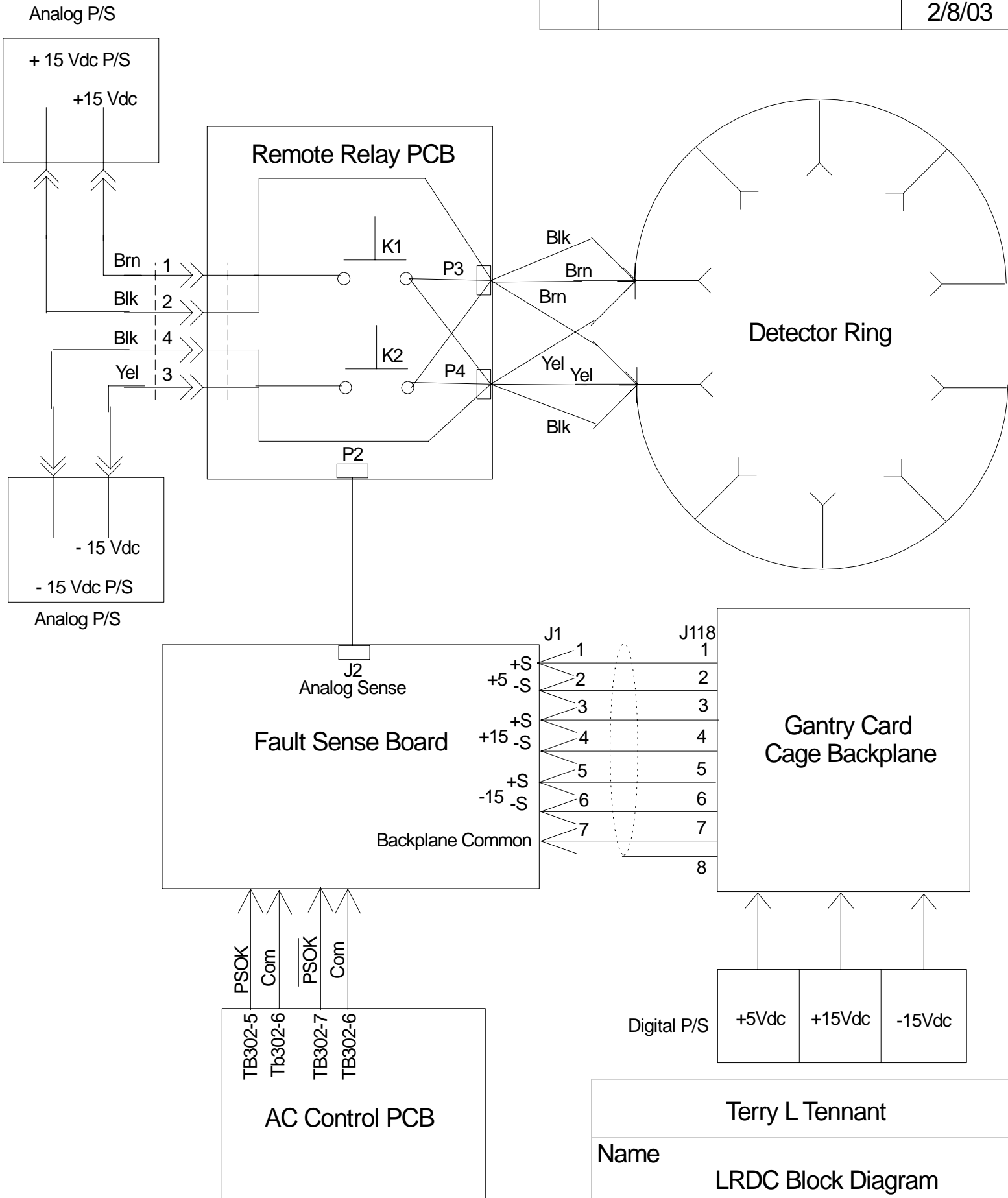
Disclaimer: This publication is intended for use by personnel who are trained and qualified to service diagnostic imaging equipment. This publication is not intended to replace any OEM procedures or guidelines for maintenance and troubleshooting. UMMS makes every effort to provide accurate and complete information UMMS provides no warranty, expressed or implied, as to the accuracy, reliability or completeness of this publication and its data. UMMS is not liable and is held harmless for any damages or losses as a result of the content, use, perception, interpretation, and understanding of this publication.

Revisions		
Rev	Description	Date
		2/7/03



Terry L Tennant		
Name		
Remote Relay PCB		

Revisions		
Rev	Description	Date
		2/8/03



Terry L Tennant			
Name			
LRDC Block Diagram			